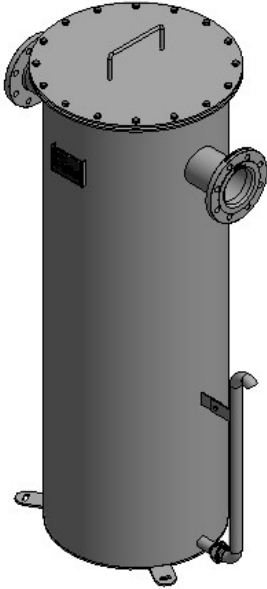


CONDENSATE POT CP



- Effective removal and collection of condensed water
- High storage capacity
- Low pressure loss
- Optional automatic condensate separator
- Optional fill level indicator/sight glass
- Easy cleaning
- Condensate pot entirely made from 1.4404 stainless steel
- Made in Austria

ENVIRONTEC'S CONDENSATE SEPARATOR / ACCUMULATOR POT

Sewage gas / biogas is gas that is saturated with water vapour. In fermentation gas plants and their pipeline systems there typically is a build-up of condensed water caused by temperature effects. Condensate can lead to blockages at low points and deposits, corrosion, etc. in pipe sections. The EnvironTec condensate separator for low-point water drainage effectively and safely collects and removes condensed water from the pipeline system.

Condensate pots are usually installed directly in the pipeline but can also be flanged below low-lying points of the pipeline. The water condensed out accumulates on the container walls or the separation wall and is collected at the bottom of the container.

Removal is manual via a ball valve or automatic via a siphon or an automatic condensate separator.

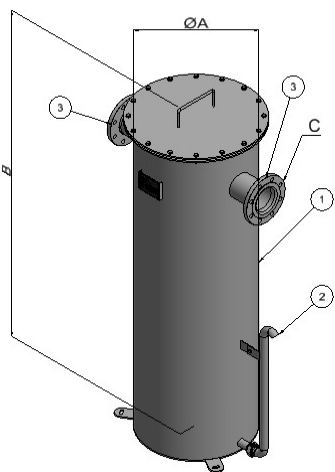
An optional fill level indicator or sight glass are also available.

The system is available in different sizes and specifications (basic specification, semi and fully automatic).

EnvironTec condensate separator pots are entirely made from 1.4404 stainless steel.

APPLICATIONS AND SPECIFICATIONS

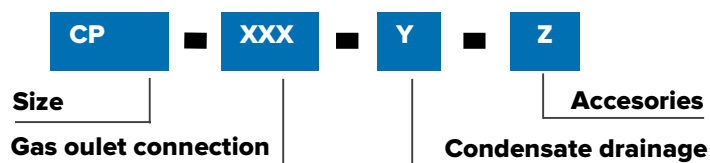
- Condensate collection/removal in pipeline systems of fermentation gas plants
- Body made from stainless steel 1.4404
- Condensate drainage manual or via siphon or separator pot



1. Condensate pot - lower Body
2. Siphon (1")
3. Gas inlet/outlet flange

Model size	Diameter	Height	Flow rate	Gas connection
	ØA in mm	B in mm	Nm ³ /h	C in DN
CP 50	219	1.100	< 50	40
CP 75	273	1.100	50 - 75	50
CP 150	356	1.100	75 - 150	80
CP 250	506	1.600	150 - 250	100
CP 500	606	1.600	250 - 500	125
CP 750	786	1.600	500 - 750	150
CP 1.000	1.266	1.600	750 - 1.000	200

TYPE SPECIFICATION



Y s__siphon
a__automatic condensate drain

Z 0__pressure gauge (gas inlet and outlet)
1__water level indicator