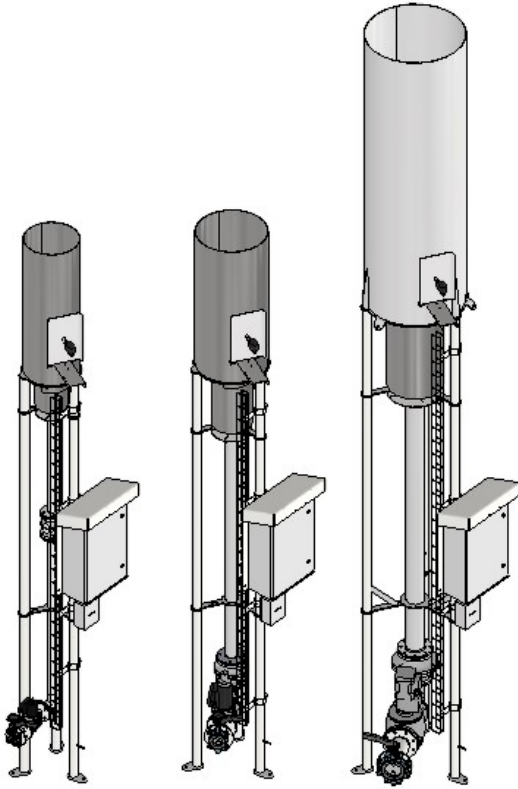


## EMERGENCY GAS FLARE FAI



- Cost effective design
- Simple installation
- Manual/automatic control and ignition
- Entirely made from stainless steel
- Manual valve with DVGW certificate
- Flame arrester with ATEX certificate
- Automatic valve with magnetic/motor drive
- Made in Austria

### ENVIRONTEC'S EMERGENCY GAS FLARE FAI

The operation of biogas or sewage treatment plants may necessitate the safe combustion of excess gas (e.g. start-up phase, repairs or severe consumer damages). The EnvironTec gas flare FAI series provides the operator with an automatically controlled, safe and low-emission gas flare. The cost-effective design of the FAI primarily ensures a long service life, low maintenance cost and constant availability.

Flare operation is fully automated. On receipt of the start / stop signal from the plant control or manual with a button, the automatic burner control automatically opens the relevant valves and simultaneously initiates the ignition sequence. The flame is continually monitored by a UV sensor and a safety min. pressure switch.

Manual version with manual valve and push button for ignition on request.

The FAI is fitted with a standard switch cabinet (IP66) with automatic burner control pursuant to EN 746-2 and PLC Siemens Logo!8 control.

Gas combustion is via a single burner system injector.

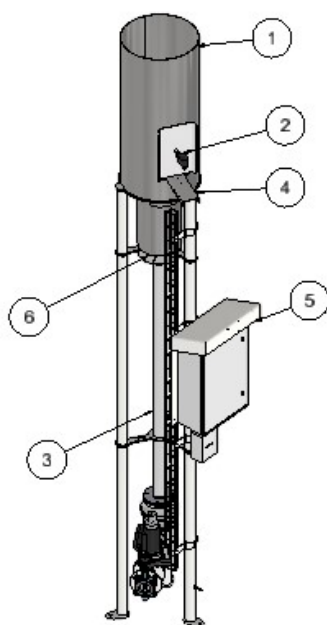
If desired, the FAI flare can be equipped with additional accessories such as pressure control, electrically heated fittings or switch cabinet in stainless steel.

The FAI is an efficient and cost-effective solution for locations, where open combustion is allowed.

EnvironTec FAI biogas flares are entirely made from stainless steel and fitted with high-quality components/fittings.

# APPLICATIONS AND SPECIFICATIONS

- Automatic or manual, cost effective combustion of biogas
- Operating pressure 5-40mbar
- Flow 0-500Nm<sup>3</sup>/h
- Special operating flow and pressure on request
- optional with blower integration



1. Flame tube / combustion chamber
2. UV sensor / flame monitor
3. Gas line
4. Electrode ignition
5. IP66 switch cabinet
6. Injector burner

Model size	Height	Diameter	Flow rate	weight	Standard connection
	mm	mm	Nm <sup>3</sup> /h	kg	DN
FAI 15	4000	356	Max. 15	160	15
FAI 25	4000	356	Max. 25	160	20
FAI 50	4000	356	Max. 50	180	32
FAI 75	4000	356	Max. 75	190	40
FAI 100	4000	456	Max. 100	200	50
FAI 200	4000	456	Max. 200	210	65
FAI 300	4000	456	Max. 300	230	80
FAI 400	5500	636	Max. 400	300	100
FAI 500	5500	636	Max. 500	400	125