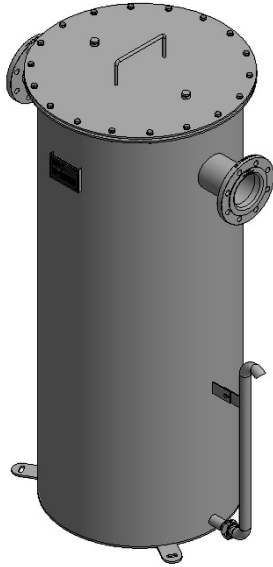


GRAVEL FILTER GF



- Removal of coarse particles and foam from biogas/sewage gas
- Condensate separation
- Flashback protection device
- Low maintenance
- Optional differential pressure gauging and gravel removal
- Entirely made from 1.4404 stainless steel
- Made in Austria

ENVIRONTEC'S GRAVEL FILTER

Biogas from fermentation vessels or biogas reactors is saturated with water and partially loaded with dirt particles. In addition, foam may enter the pipeline system.

The EnvironTec GF gravel filter ensures the simple coarse cleansing of the biogas. The gas flows through a gravel filter layer during which process dirt, foam and condensate droplets are separated out.

In the case of normal debris levels, the gravel can be cleaned by water injection via the cleaning

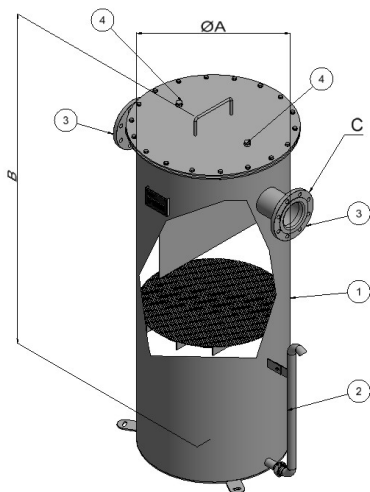
nozzles or by flushing without the need to open the filter.

EnvironTec offers gravel filters for different flow volumes and pressures. The gravel filter can optionally be fitted with a gravel removal flange as well as differential pressure gauging.

EnvironTec gravel filters are entirely made from 1.4404 stainless steel.

APPLICATIONS AND SPECIFICATIONS

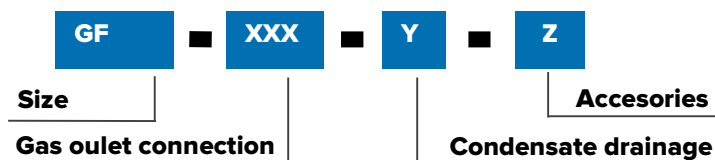
- Gas coarse cleaning of fermentation gas or biogas plants
- Made from 1.4404 stainless steel
- Optional equipment available



1. Gravel filter - lower body
2. Siphon
3. Gas inlet/outlet flange
4. 1/2" socket for flushing

Model size	Diameter	Height	Flow rate	Gas connection
	A in mm	B in mm	Nm ³ /h	DN
GF 50	273	1.100	< 50	40
GF 75	356	1.100	50 - 75	50
GF 150	506	1.100	75 - 150	80
GF 250	606	1.600	150 - 250	100
GF 500	786	1.600	250 - 500	125
GF 750	946	1.600	500 - 750	150
GF 1.000	1.266	1.600	750 - 1.000	200

TYPE SPECIFICATION



Y s_siphon
a_automat condensate

Z 0_pressure gauges connection (gas inlet and outlet)
1_fill level indicator
2_additional flange for gravel removal