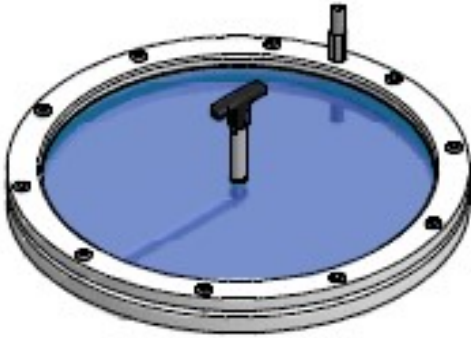


INSPECTION GLASS IG



- Easy observation of the processes inside containers / reactor chambers
- High-strength glass material
- Integrated window wipers (internal)
External optional
- Optional spray mechanism & protective cover
- Specification with ex inspection glass luminaires or camera system available
- Entirely made from 1.4571 stainless steel

ENVIRONTEC'S INSPECTION GLASS SYSTEM/OBSERVATION WINDOW

Inspection glasses/observation windows are used for the easy and unobstructed observation of the processes inside fermentation vessels (e.g., formation of floating layers).

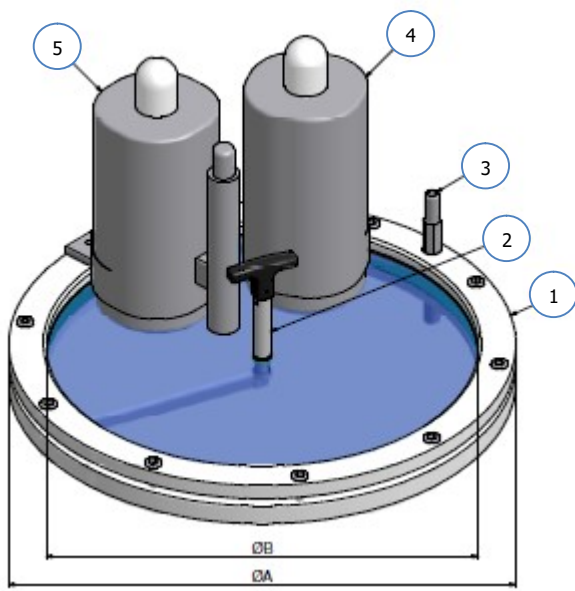
The EnvironTec inspection glass system can be integrated into a manhole cover or gas dome or be installed in the reactor roof or external wall using a special insert.

EnvironTec inspection glasses are available in different sizes. Window wipers, spray mechanisms, inspection glass luminaires (also ex-protected) and protective covers are available as optional accessories.

The glass material is highly durable and shatterproof. The frame construction is made from 1.4571 stainless steel as standard.

APPLICATIONS AND SPECIFICATIONS

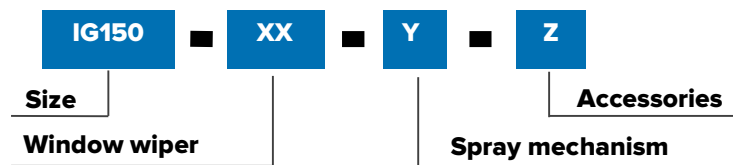
- Observation systems for fermentation gas plants
- For installation in gas domes, manhole covers or with a special insert
- Suitable for reactor roof and external wall



1. Inspection glass with frame assembly
2. Window wiper
3. Spray mechanism
4. Ex inspection glass luminaire
5. Ex camera system

| Model size | Diameter | Inspection area |
|------------|----------|-----------------|
| | A in mm | B in mm |
| IG 150 | 250 | 175 |
| IG 200 | 300 | 225 |
| IG 400 | 400 | 325 |

TYPE SPECIFICATION



XX

i ____ internal
a

Y

o ____ without spray mechanism
s ____ with spray mechanism

Z

co ____ protective cover
l ____ inspection glass luminaire
cam ____ camera system