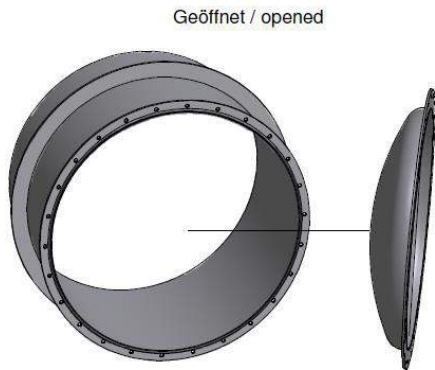


## LATERAL MANHOLE LMH



- Easy to open/close
- Pressure range up to approx. 4 bar
- Operating range up to 100°C
- Entirely made from 1.4571 stainless steel
- Made in Austria

## ENVIRONTEC'S LATERAL MANHOLE LMH II

During the construction phase of fermentation gas containers, but also during operation and for structural work, the safe and easy access to the interior of the vessel must be ensured. Therefore, the lateral access and egress of people but also the supply and removal of materials and tools must be facilitated.

The EnvironTec LMHII lateral manhole ensures the easy and quick opening / closing of the manhole cover by a handle bar.

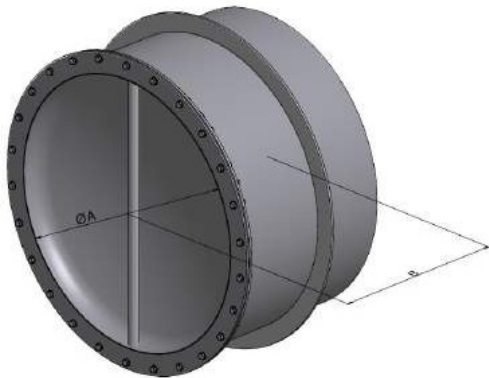
Its convex interior surface prevents slurry particles or other solid matter from being deposited on it.

EnvironTec lateral LMH manholes are available with clear diameters of 606 mm - 1274 mm. The frame length is individually adjustable.

EnvironTec lateral manholes are entirely made from 1.4571 stainless steel and are suitable for hydrostatic pressures of up to app. 4 bar.

## APPLICATIONS AND SPECIFICATIONS

- Lateral ingress/egress in storage containers, pits, towers and concrete structures
- For material supply or the deployment of divers we recommend diameters >800 mm
- Entirely made from 1.4571 stainless steel
- Hydrostatic pressure up to approx. 4 bar



1. Frame for moulding into the container wall
2. Ring gasket
3. Handle bar

Model size	Diameter	Length*
	A in mm	B in mm
LMH II 600	606	600
LMH II 700	711	600
LMH II 800	812	600
LMH II 900	955	600
LMH II 1000	1050	600
LMH II 1200	1273	600

\*variable

## TYPE SPECIFICATION

