

## LATERAL MANHOLE LMH



- Easy to open/close with spindle-operated locking mechanism
- Pressure range up to approx. 4 bar
- Operating range up to 100°C
- Perfect seal through the static pressure applied by the medium
- Hinged lid does not need to be removed
- Entirely made from 1.4571 stainless steel
- Made in Austria

### ENVIRONTEC'S LATERAL MANHOLE

During the construction phase of fermentation gas containers, but also during operation and for structural work, the safe and easy access to the interior of the vessel must be ensured. Therefore, the lateral access and egress of people but also the supply and removal of materials and tools must be facilitated.

The EnvironTec LMH lateral manhole ensures the easy and quick opening / closing of the manhole cover by means of a spindle-operated locking mechanism and, as it is designed to open towards the interior, the

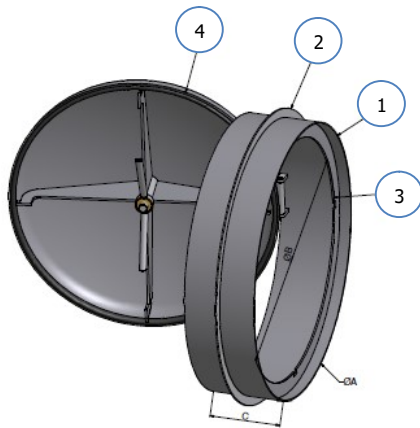
fluid pressure provides an additional seal. Its convex interior surface prevents slurry particles or other solid matter from being deposited on it.

EnvironTec lateral LMH manholes are available with clear diameters of 600 mm - 1200 mm. The frame width is individually adjustable.

EnvironTec lateral manholes are entirely made from 1.4571 stainless steel and are suitable for hydrostatic pressures of up to app. 4 bar.

## APPLICATIONS AND SPECIFICATIONS

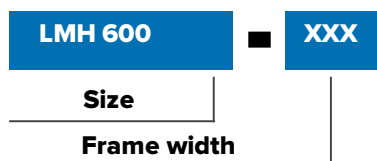
- Lateral ingress/egress in storage containers, pits, towers and concrete structures
- For material supply or the deployment of divers we recommend diameters >800 mm
- Support of agitators possible
- Variable diameter and wall height
- Supplied for welded connection or with sealing collar for moulding in at the head of the fermentation tower



1. Frame for moulding into the container wall
2. Ring gasket
3. Manhole tensor ring
4. Manhole cover with spindle-operated locking mechanism

Model size	Diameter	Clear diameter	Height
	A in mm	B in mm	C in mm
LMH 600	754	604	235
LMH 700	854	704	250
LMH 800	954	804	250
LMH 900	1080	904	250
LMH 1000	1200	1060	316
LMH 1200	1370	1200	330

## TYPE SPECIFICATION



**XXX**

Frame width in mm