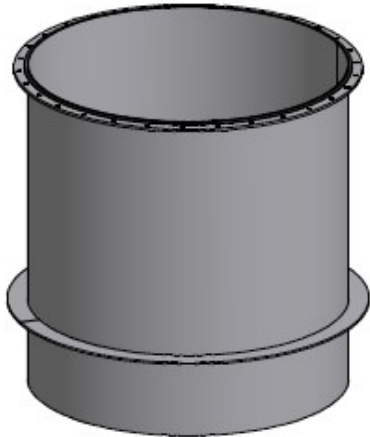


ROOF MANHOLE RMH



- Access aperture in concrete containers for inspections and maintenance work
- Available in different diameters
- Frame height to customer specification
- Incl. sealing collar for moulding into concrete ceilings
- Incl. cover (not shown)
- Entirely made from 1.4571 stainless steel
- Made in Austria

ENVIRONTEC'S ROOF MANHOLE

A sufficiently large and easy to open/close aperture is required for carrying out repair and inspection work as well as for moving bulky equipment into and out of fermentation containers.

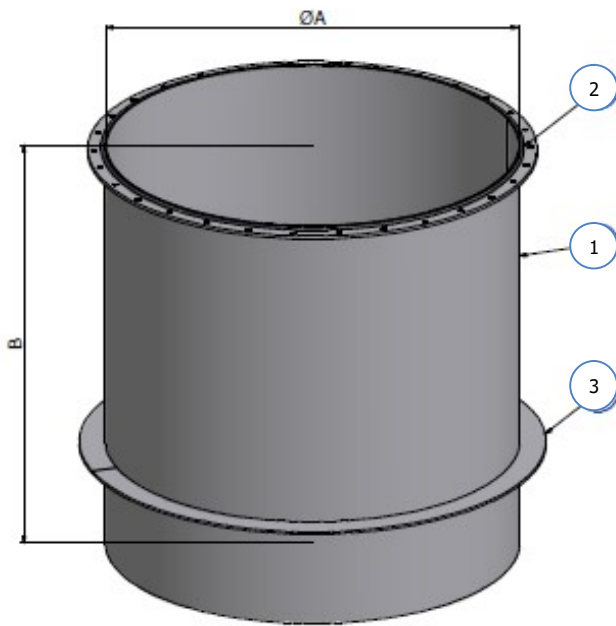
The EnvironTec RMH roof manhole provides a robust and cost-effective

manhole design for this purpose. The roof manhole is available in four different standard diameters – also in custom sizes to customer specifications.

Usually, 1.4571 stainless steel is used as material for roof manholes and NBR round cord as gasket.

APPLICATIONS AND SPECIFICATIONS

- Access and inspection aperture for anaerobic fermentation vessels
- Entirely made from 1.4571 stainless steel
- NBR cover gasket

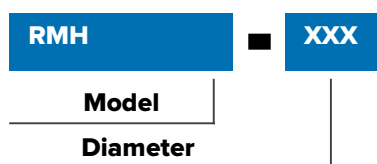


1. Frame for moulding into the container wall
2. Ring gasket
3. Handle bar

Model size	Diameter	Height
	A in mm	B in mm
RMH 400	406	1000
RMH 600	606	1000
RMH 800	812	1000
RMH 1000	955	1000
RMH 1200	1273	1000

*variable

TYPE SPECIFICATION



XXX Diameter