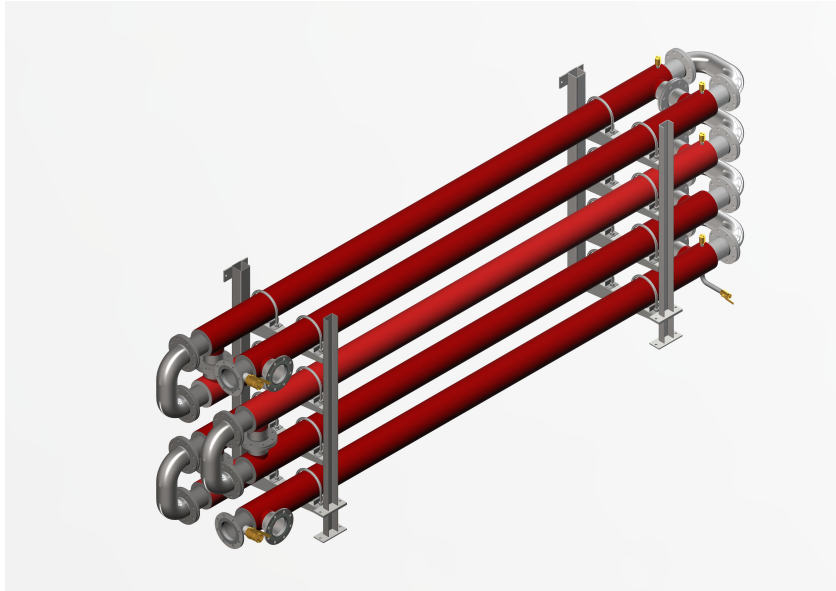


HEAT EXCHANGER WT



ENVIRONTEC'S HEAT EXCHANGER

Our double tube heat exchanger are used for heat exchange at biogas- & sewage treatment plants.

Using the energy efficient counter-flow principle, the medium is heated and flows back to the process.

The WT is always individually designed and carried out for every customer, this guarantees a cost-effective execution.

Our WT is made of stainless steel and available with or without insulation.

ADVANTAGES OF WT

- Custom design and construction
- Functional stability
- Low risk of clogging
- Low pressure drop
- High transfer due to high transmission areas
- Individually designed brackets and frames for the location